

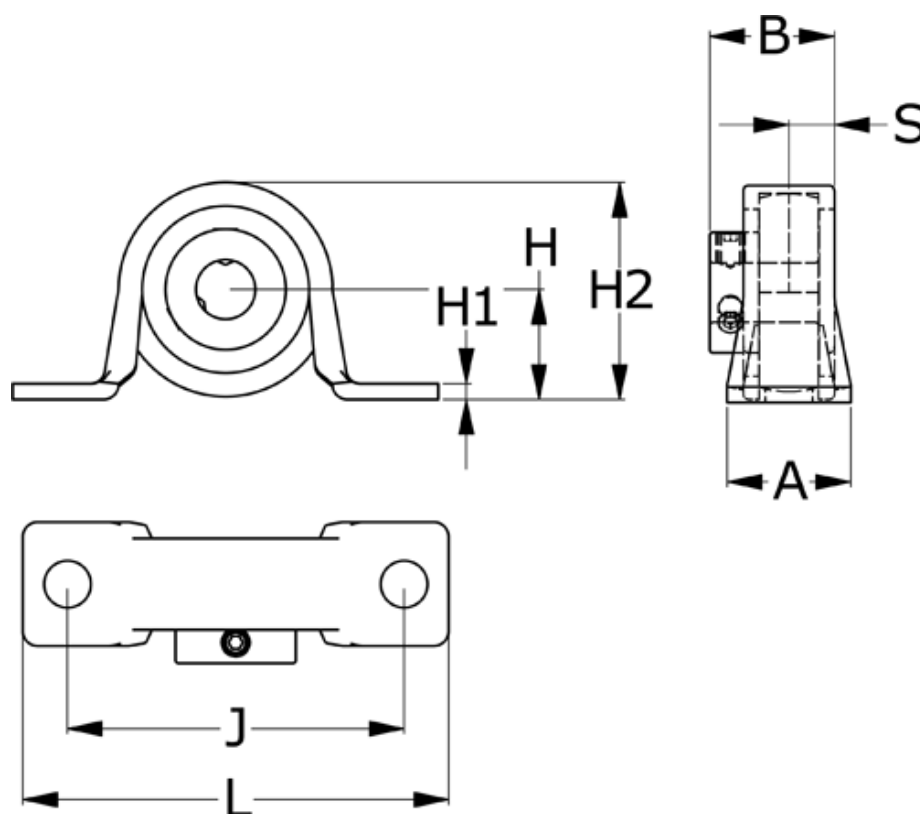
# Data Sheet



Article number: 5725024206

Description: NSK Ball bearing unit ASPP206  
Pressed steel housing

## Measures



A = 38  
B = 29  
H = 33.3  
H1 = 4  
H2 = 66.3  
J = 95  
L = 117  
N = 11.5

S = 8  
Shaft  $\bar{\text{}}$  = 30